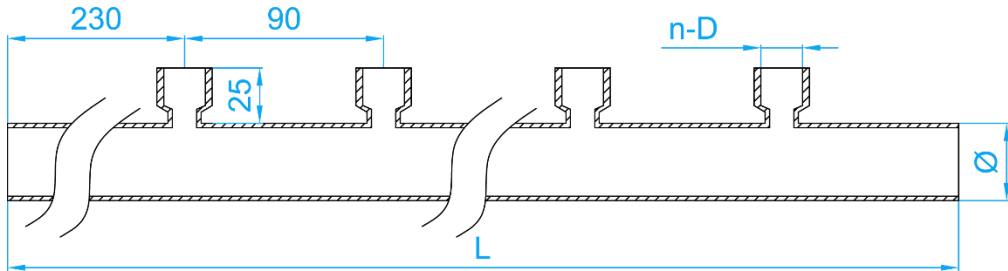
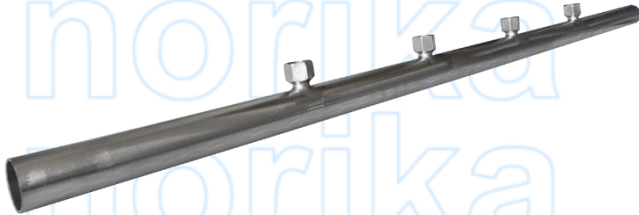
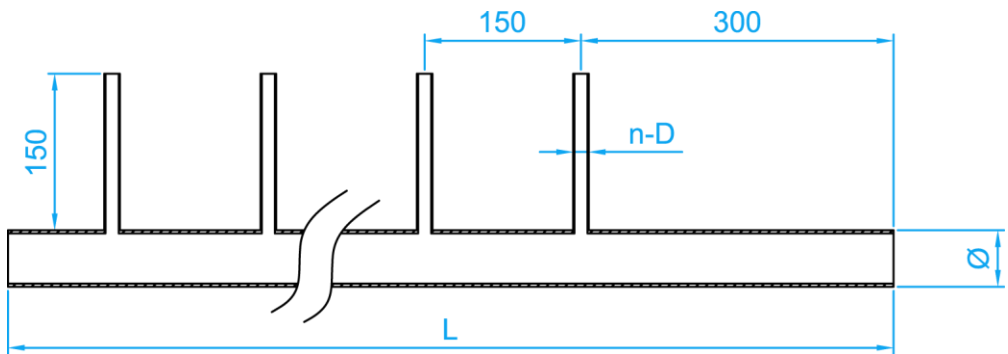


# STAINLESS STEEL 316L PRESSFIT SINGLE SIDED MANIFOLDS



TYPE A: SS316LNM03515FX4

CROSS SECTIONAL VIEW



TYPE B: SS316LNM05015-

CROSS SECTIONAL VIEW

## DIMENSIONS

SKU	Ø (mm)	n-D	L (mm)	WEIGHT (kg)
SS316LNM03515FX4	35	4NOS -G1/2" FI	1000	1.450
SS316LNM05015X4	54	4NOS-Ø15	850	2.157
SS316LNM05015X5	54	5NOS-Ø15	1000	2.382